

**ecostore**  
**2 Door Digital Freezer, 1430lt**  
**(-22/-15) R290**

ITEM # \_\_\_\_\_

MODEL # \_\_\_\_\_

NAME # \_\_\_\_\_

SIS # \_\_\_\_\_

AIA # \_\_\_\_\_


**727995 (REX142FFH)**

 2-door Freezer  
 1430lt, -22-15°C (R290),  
 digital, full AISI 304, with  
 internal light

### Short Form Specification

**Item No.** \_\_\_\_\_

Two full doors freezer with internal and external structure in 304 AISI stainless steel; external back panel in galvanized steel and bottom panel in anti-corrosive material. Digital control with cabinet temperature display and setting and manual activation of defrost cycle. Fully compliant HACCP digital controls include visible alarms. Optimized back to front forced air flow provides even temperature distribution and fast cooling in any conditions. Fitted with 75 mm-thick cyclopentane insulating foam. Door features lock and door microswitch to switch off the fan when the door is opened. Hidden evaporator to guarantee higher storage capacity and less corrosion problems. Built-in refrigeration unit; ventilated operation; automatic defrost and evaporation of defrost water. For ambient temperatures up to 43 °C. CFC and HCFC free. R290a gas in refrigeration circuit. Supplied with n. 6x2/1GN Rilsan coated grids and n. 6 sets of 2 stainless steel grid runners.

### Main Features

- Large storage area suitable to contain 2/1 GN grids or shelves on anti-tilt runners.
- Optimized back to front forced air flow provide even temperature distribution and fast cooling in any conditions.
- Automatic defrost.
- Internal structure with numerous charging positions available to host grids, ensuring higher net capacity and a greater storage space.
- Cabinet fitted with up to 75 mm thickness of cyclopentane insulation for best insulating performance with 100% environmental protection (thermal conductivity: 0,020 W/m\*K).
- Removable triple-chamber balloon magnetic gasket to improve insulation and reduce energy consumption and ease of cleaning.
- Automatic evaporation of the defrosting water by hot gas on the top for energy saving.
- 60 mm-thick insulation covering the evaporator can be easily removed with a single operation.
- Rilsan coated grids for improved protection.
- Hidden evaporator thus guaranteeing higher storage capacity and less corrosion problems.
- Digital control with cabinet temperature display and setting and manual activation of defrost cycle. Fully compliant HACCP digital controls include visible alarms.
- Adjustable temperature range from -15 °C to -22 °C to suit meat, fish and dairy storage requirements.
- Tropicalized unit (43°C ambient temperature).
- This appliance is intended for use in ambient temperatures up to 40°C.
- Two full doors.
- CFC and HCFC free, highly ecological refrigerant type: R290 (ecological gas in foam: cyclopentane). Hydrocarbon refrigerant gas R290 for the lowest environmental impact (GWP=3), to reduce green house and ozone depletion effects.
- Connectivity ready for real time access to connected appliances from remote and data monitoring (requires optional accessory).

### Construction

- Interior base with rounded corners, pressed from a single sheet.
- Stainless steel runners and supports easily disassembled.
- Anti-corrosion bottom avoids any damage that may be caused to the cabinet by aggressive detergents employed to clean the floors.
- Lockable door.
- Door switch stops the fan when door is opened to avoid cold air exiting the cell, thus saving energy.
- Doors are self-closing and can be fully opened up to 180°.
- CFC and HCFC-free insulation.
- R290 refrigerant to reduce green house and ozone depletion effects.
- The rounded internal corners, the easily removable

**APPROVAL:** \_\_\_\_\_

runners and grids allow for ease of cleaning and high hygiene standards.

- Mounted on adjustable Stainless steel feet, with castors as an option.
- Easy access to the main components for maintenance.

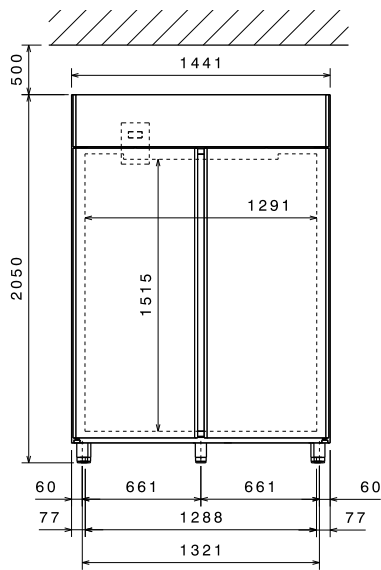
### Included Accessories

- 6 of 2/1GN grey rilsan grid with 2 runners PNC 881020

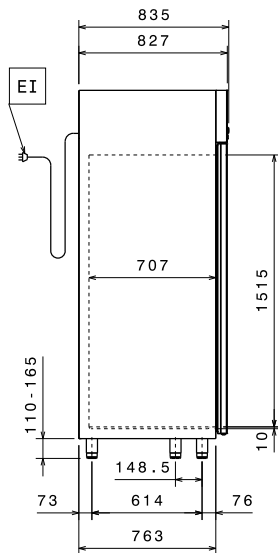
### Optional Accessories

- 2 stainless steel runners for refrigerated cabinets - (Marine) PNC 880242
- Spacer for 670 lt and 1430 lt refrigerated cabinets PNC 880248
- Ethernet connector for IR33 (CAREL) Refrigerated Cabinets and Counters PNC 880252
- Kit 20 pair runners and trays to fit pastry trays (400x600mm) PNC 880333
- Kit of 6 swivelling wheels, 2 with brake, diam 50 mm PNC 880340
- 1/1GN plastic container with false bottom PNC 880705
- 2/1GN grey rilsan grid PNC 881004
- 2/1GN aisi 304 stainless steel grid PNC 881016
- 2/1GN 304 AISI stainless steel grid with 2 runners PNC 881018
- Meat rail for 670/1430lt refrigerators with 4 hooks PNC 881019
- 2/1GN grey rilsan grid with 2 runners PNC 881020
- Set of 2 stainless steel runners for 670/1430lt refrigerators and freezers PNC 881021
- Pedal opening for 1430lt refrigerator PNC 881033
- 2/1GN pvc container with lid and 2 runners PNC 881039
- 2/1GN perforated shelf PNC 881042
- 1/1GN rilsan steel wire basket h=150mm PNC 881043
- 3 grey rilsan central grids for 1430lt (not for glass door) PNC 881044
- 2/1GN grey rilsan basket+2 runners h=150mm PNC 881047
- 5 swivelling wheels (2 with brake), diam 125mm, for 1430 lt refrigerators, NOT for remote models PNC 881294
- KIT HACCP EKIS PNC 922166

Front

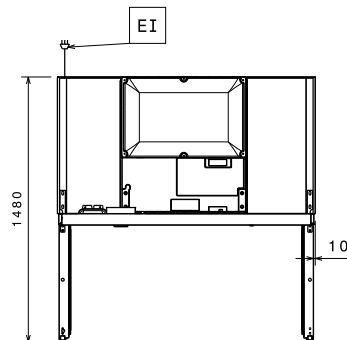


Side



EI = Electrical inlet (power)

Top



### Electric

Supply voltage:  
 727995 (REX142FFH) 220-240 V/1 ph/50 Hz  
 Electrical power max.: 0.7 kW

### Key Information:

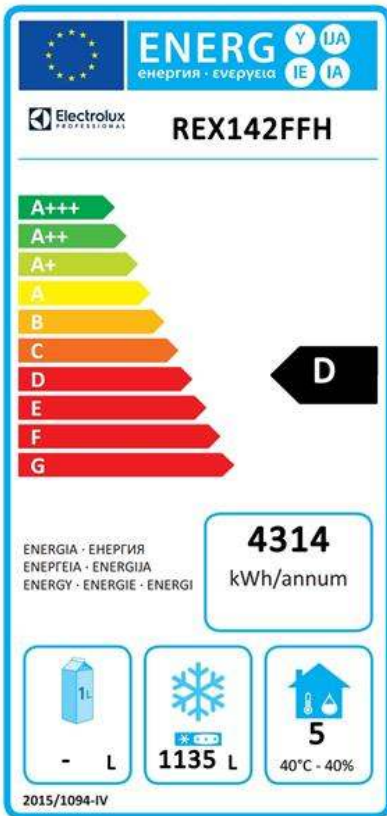
Gross capacity: 1430 lt  
 Net Volume: 1135 lt  
 Door hinges: 1 Left+1 Right  
 External dimensions, Width: 1441 mm  
 External dimensions, Depth: 835 mm  
 External dimensions, Depth with Doors Open: 1480 mm  
 External dimensions, Height: 2050 mm  
 Number and type of doors: 2 Full  
 Number and type of grids (included): 6 - GN 2/1  
 Type of external material: 304 AISI  
 Type of internal material: 304 AISI  
 Internal panels material: 304 AISI  
 Number of positions & pitch: 44; 30 mm

### Refrigeration Data

Control type: Digital  
 Refrigerant type: R290  
 GWP Index: 3  
 Refrigeration power: 833 W  
 Refrigeration power at evaporation temperature: -30 °C  
 Operating temperature min.: -22 °C  
 Operating temperature max.: -15 °C  
 Operating mode: Ventilated

### Product Information (EU Regulation 2015/1094)

Energy Class: D  
 Yearly and daily energy consumption: 4314kWh/year - 12kWh/24h  
 Climate class: Heavy Duty (5)  
 Energy Efficiency Index (EEI): 61,05  
 Type of model: vertical frozen



### EU energy labelling from 1st July 2016

The European energy labelling scheme for professional refrigerators and freezers is based on requirements setting Minimum Energy Performance standards for commercial refrigeration cabinets sold within the EU.

These requirements are designed to drive energy efficiency and environmentally friendly approach for professionals. The European energy labelling scheme will apply to all manufacturers and importers who sell and market products within the EU and it is mandatory across Europe. Important: all products which consume energy above the minimum level will not be able to be sold within the EU from 1 July 2016.

SI 2020 No. 1528.

Important: all products which consume energy above the minimum level will not be able to be sold within the EU from 1 July 2016.

